

# SPG Series

## SPG12-570W 12V145Ah

SPG series VRLA battery uses AGM technology and high-purity raw materials. It has good high power discharge, floating backup and fast charging performance. It is mainly used in UPS/EPS standby power supply systems. It can backup power in poor operation environment.



### Benefits

- Long life according to EUROBAT Classification
- Maximum charge efficiency
- High gas recombination efficiency
- Low self-discharge rate
- Horizontal or vertical installization

### Applications

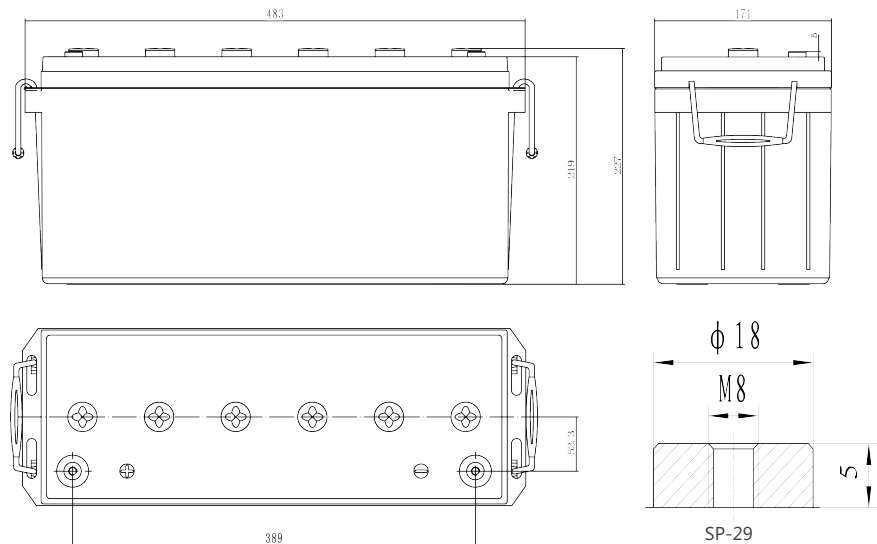
- UPS units
- Data center
- Starting generators
- EPS units

### Standards

- IEC 60896-21/22
- JIS C8704-1/2
- EUROBAT guide

### Specifications

### Drawing



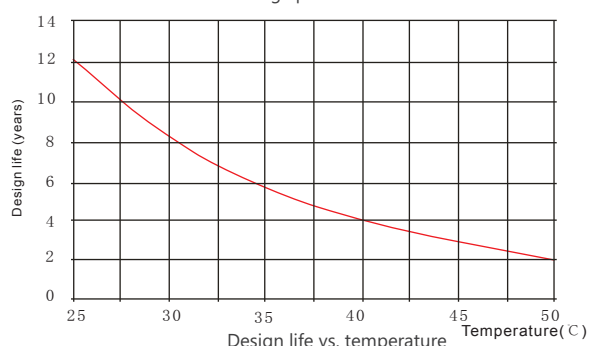
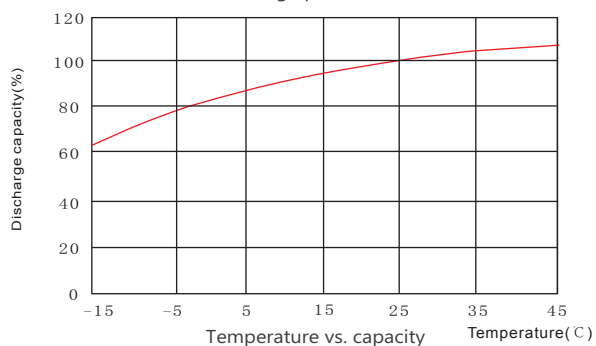
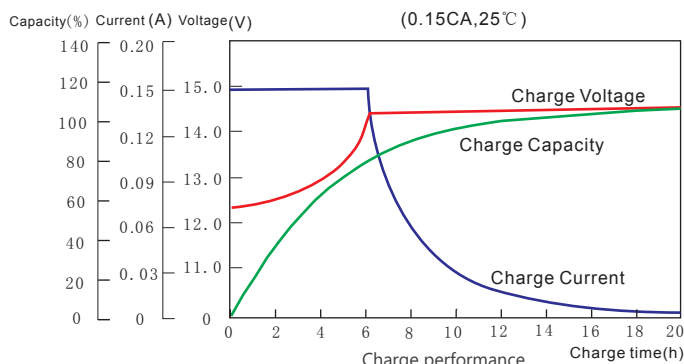
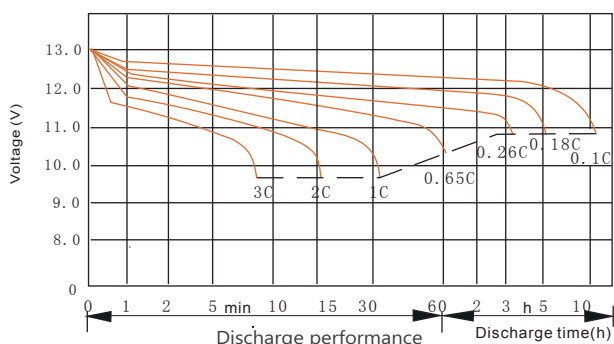
Battery Model	SPG12-570W			
Design Life (years, 25°C)	12			
Capacity (Ah, 25°C)	10min ( 1.60V)	15min ( 1.67V)	1HR (101A, 1.70V)	10HR (14.5A, 1.80V)
	715W/cell	570W/cell	101Ah	145Ah
Dimensions (mm)	Length	Width	Height	Total Height
	483	171	219	227
Approx. Weight (kg)	45.6			
Reference Internal Resistance (mΩ)	2.75 ( fully charged @ 25°C)			
Maximum Discharge Current (A/5 Sec.)	1650			
Self-Discharge (25°C)	≤ 2% per months			
Charge Voltage (V/cell, 25°C)	Cycle use		Float use	
	2.40(-3.5mV/°C/cell), max charge current: 43.5A		2.27(-3.5mV/°C/cell)	
Short Circuit Current (A)	4350			

## Discharge Data

Constant Current Discharge Data (25°C, A)														
End Voltage (V/cell)	min							h						
	5	10	15	20	25	30	45	1	1.5	2	3	5	6	10
1.60	510	390	327	265	224	195	137	108	84.4	65.1	45.4	28.4	24.3	15.1
1.65	482	376	315	256	217	188	133	105	82.5	63.8	44.0	28.0	24.0	15.0
1.67	460	363	305	249	211	183	130	103	80.8	62.6	43.2	27.6	23.7	14.9
1.70	449	351	294	242	204	179	127	101	79.5	61.7	42.3	27.2	23.5	14.8
1.75	425	330	282	230	194	170	122	97.5	77.0	60.0	41.1	27.0	23.2	14.6
1.80	395	308	265	217	185	162	117	93.6	74.2	58.1	39.4	26.2	22.8	14.5

Constant Power Discharge Data (25°C, W/cell)														
End Voltage (V/cell)	min							h						
	5	10	15	20	25	30	45	1	1.5	2	3	5	6	10
1.60	898	715	602	479	413	375	269	219	164	124	85.4	57.9	50.7	31.8
1.65	852	685	585	465	405	367	263	213	159	121	82.8	56.9	49.9	31.1
1.67	830	660	570	449	397	360	258	209	154	118	81.1	55.5	48.7	30.9
1.70	805	635	550	432	383	352	253	205	151	117	79.4	54.9	48.3	30.6
1.75	778	609	525	416	371	342	248	199	147	114	78.0	54.0	47.2	30.0
1.80	748	580	502	399	357	328	241	191	143	111	76.6	52.3	46.0	29.1

## Performance Curve



### Sacred Sun Power Sources Co., Ltd.

No.1 Shengyang Road Qufu City, PRC  
sales@sacredsun.cn

### Sacred Sun Asia Pacific

No. 15, Yishun Industrial Street 1,  
#01-17, WIN5, Singapore 768091  
sales.asia@sacredsun.cn

### Sacred Sun Europe SPRL

Paul Dejaerlaan 4b, B 1060 Brussel,  
Belgium  
sales.eu@sacredsun.cn

### Sacred Sun MEA FZE

Jebel Ali, Dubai, UAE  
sales.mea@sacredsun.cn