

SPG Series

SPG12-500W 12V140Ah

SPG series VRLA battery uses AGM technology and high-purity raw materials. It has good high power discharge, floating backup and fast charging performance. It is mainly used in UPS/EPS standby power supply systems. It can backup power in poor operation environment.



Benefits

- Long life according to EUROBAT Classification
- Maximum charge efficiency
- High gas recombination efficiency
- Low self-discharge rate
- Horizontal or vertical installization

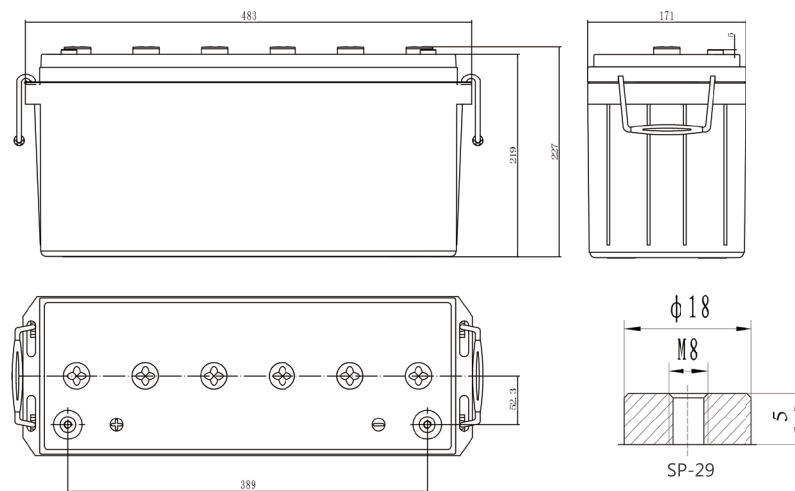
Applications

- UPS units
- Data center
- Starting generators
- EPS units

Standards

- IEC 60896-21/22
- JIS C8704-1/2
- EUROBAT guide

Drawing



Specifications

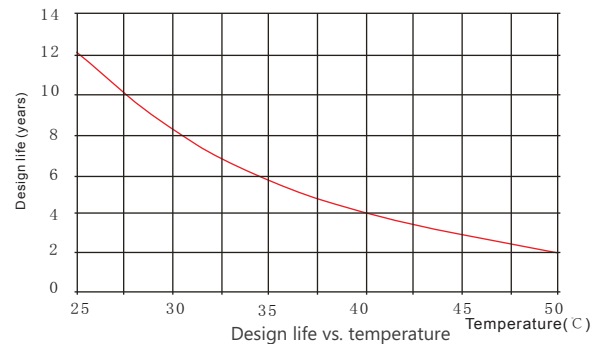
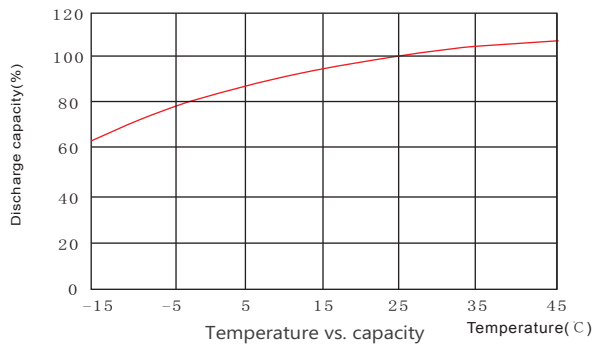
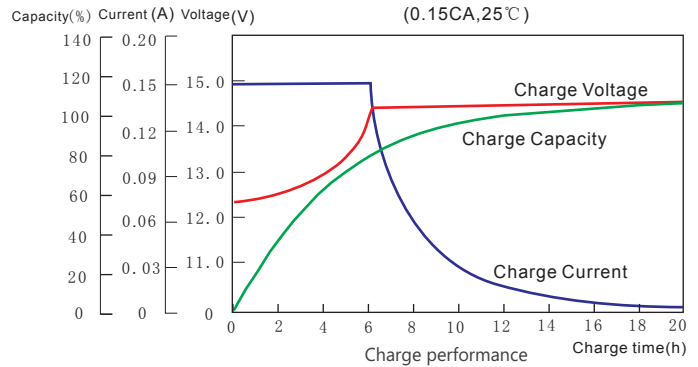
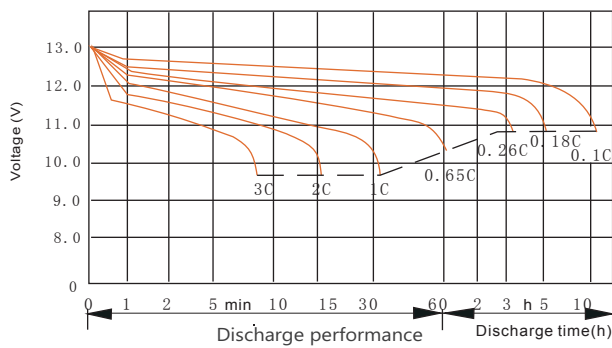
Battery Model	SPG12-500W			
Design Life (years, 25°C)	12			
Capacity (Ah, 25°C)	10min (1.60V)	15min (1.67V)	1HR (89.4A, 1.70V)	10HR (14A, 1.80V)
	655W/cell	500W/cell	89.4Ah	140Ah
Dimensions (mm)	Length	Width	Height	Total Height
	483	171	219	227
Approx. Weight (kg)	43.0			
Reference Internal Resistance (mΩ)	3.2 (fully charged @ 25°C)			
Maximum Discharge Current (A/5 Sec.)	1540			
Self-Discharge (25°C)	≤ 2% per months			
Charge Voltage (V/cell, 25°C)	Cycle use		Float use	
	2.40(-3.5mV/°C/cell), max charge current: 42A		2.27(-3.5mV/°C/cell)	
Short Circuit Current (A)	3750			

Discharge Data

Constant Current Discharge Data (25°C, A)														
End Voltage (V/cell)	min							h						
	5	10	15	20	25	30	45	1	1.5	2	3	5	6	10
1.60	453	347	285	231	195	170	118	96.0	75.0	57.9	40.3	25.3	21.6	14.5
1.65	428	334	275	223	189	164	115	93.0	73.3	56.7	39.1	24.9	21.3	14.4
1.67	409	323	266	217	184	160	112	91.2	71.9	55.7	38.4	24.6	21.0	14.3
1.70	399	312	256	211	178	156	110	89.4	70.6	54.8	37.6	24.1	20.9	14.2
1.75	378	294	246	200	169	149	105	86.7	68.4	53.3	36.5	24.0	20.6	14.1
1.80	351	274	231	189	161	141	101	83.2	65.9	51.6	35.0	23.3	20.3	14.0

Constant Power Discharge Data (25°C, W/cell)														
End Voltage (V/cell)	min							h						
	5	10	15	20	25	30	45	1	1.5	2	3	5	6	10
1.60	798	655	535	435	375	340	242	203	152	115	78.9	53.5	46.9	29.4
1.65	757	627	520	422	368	333	236	197	147	112	76.6	52.6	46.1	28.7
1.67	738	604	500	407	360	327	232	193	142	109	75.0	51.3	45.0	28.5
1.70	716	581	489	392	347	319	228	190	140	108	73.4	50.8	44.6	28.2
1.75	692	558	467	377	336	310	223	184	136	106	72.1	49.9	43.6	27.8
1.80	665	531	446	362	324	297	216	176	132	103	70.8	48.4	42.5	26.9

Performance Curve



Sacred Sun Power Sources Co., Ltd.

No.1 Shengyang Road Qufu City, PRC
sales@sacredsun.cn

Sacred Sun Asia Pacific

No. 15, Yishun Industrial Street 1,
#01-17, WIN5, Singapore 768091
sales.asia@sacredsun.cn

Sacred Sun Europe SPRL

Schoenstraat 96-9140 Temse, Belgium
sales.eu@sacredsun.cn

Sacred Sun MEA FZE

S10122A1019 Jebel Ali, Dubai,
United Arab Emirates
sales.mea@sacredsun.cn

